

Scaled data based on original data using
LM-79-08 Approved Method: Electrical and Photometric Measurements of Solid-State
Lighting Products

Test Report Prepared for
Cooper Lighting Solutions
(formerly Eaton)

Brand: STREETWORKS

Report Number: P571664

Luminaire Tested: **UFLD-CA2-80-750-U-66-TS2_UFLD**

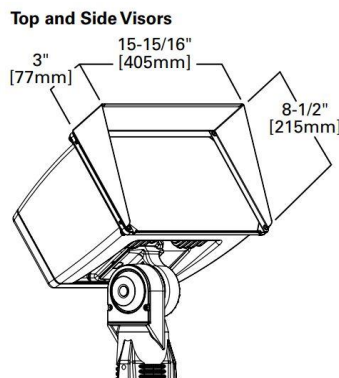
Issue Date: 9/21/2021

Test Information

Test Method: LM-79-08
Report Number: P571664
TEST IS SCALED FROM IESNA LM-79-08 TEST DATA (G2-2109-378-4)
Test Lab: COOPER LIGHTING SOLUTIONS
Issue Date: 9/21/2021
Manufacturer: COOPER LIGHTING SOLUTIONS (FORMERLY EATON)
Product Line: STREETWORKS
Catalog Number: UFLD-CA2-80-750-U-66-TS2_UFLD
Description: FLOOD LIGHT, 6x6 OPTIC WITH TOP AND SIDE VISOR
Light Source: (2) 5000K CCT, 70 CRI LEDS
Ballast/Driver: -

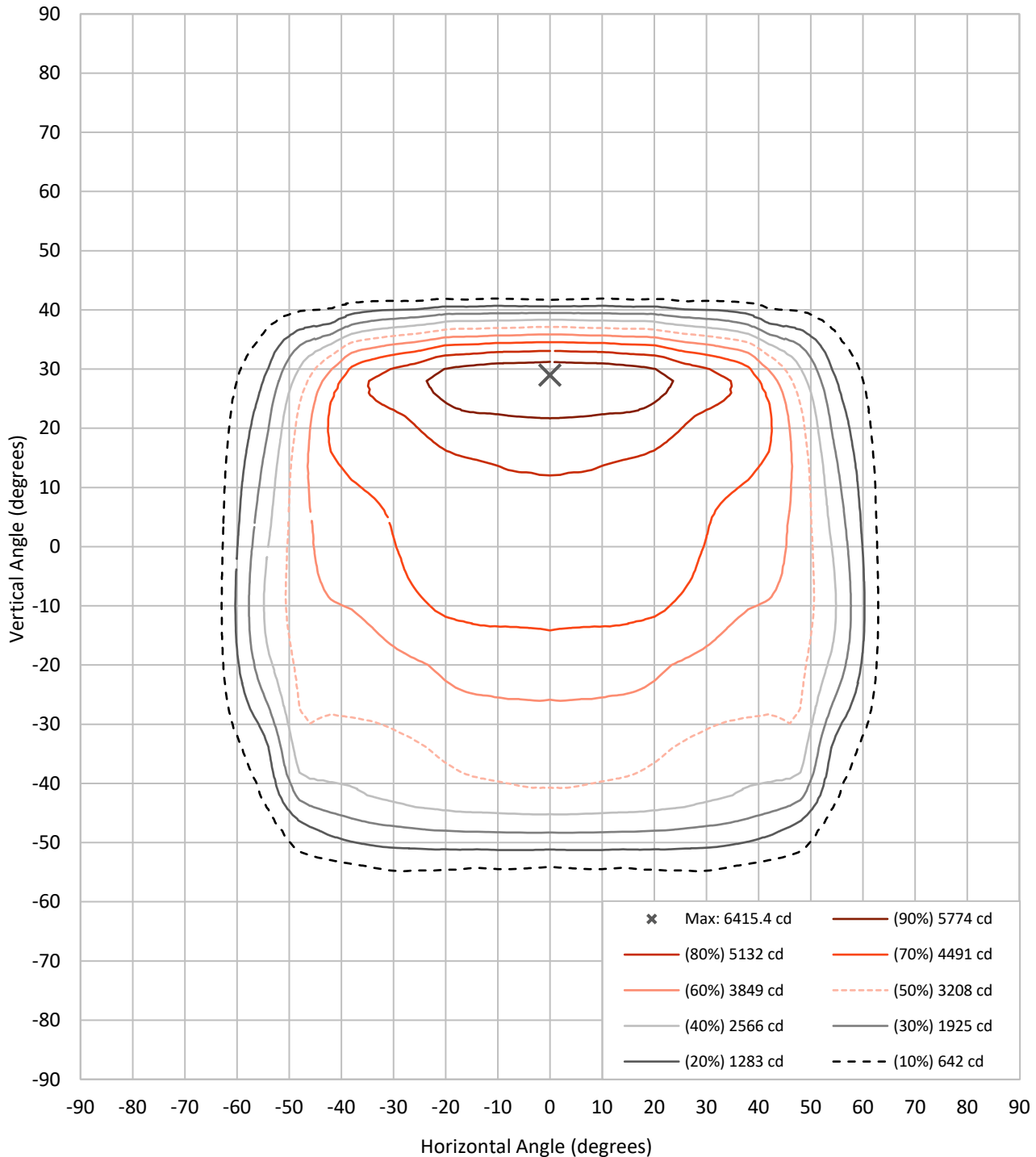
Summary

Lumens per Lamp:	N/A	NEMA Type:	6H x 5V
Luminaire Lumens:	10603 lumens	Max Intensity:	6415.4 candela
Efficiency:	N/A	Max Intensity Angle:	0°H x 29°V
Efficacy:	129.0 lumens/watt		
Luminous Opening:	Rectangular (W 1.25' x L: 0.67' x H: 0')		
Beam Angle (50%):	91.9°H x 77.9°V	Field Angle (10%):	119.5°H x 95.8°V
Beam Lumens:	8162.9 lumens	Field Lumens:	10332.2 lumens
Beam Efficiency:	77.0%	Field Efficiency:	97.4%
Input Watts (W):	82.2		
Input Voltage (V):	120		
Input Current (Ain):	NR		
Voltage Rise (V):	NR		
Power Factor:	NR		
Total Harmonic Distortion (THDi):	NR		
Frequency (hertz):	60		
Stabilization Time:	NR		
Operation Time:	NR		
Ambient Temperature (°C):	NR		
Test Distance:	25 FT		



REPORT NUMBER: P571664
CATALOG NUMBER: UFLD-CA2-80-750-U-66-TS2_UFLD

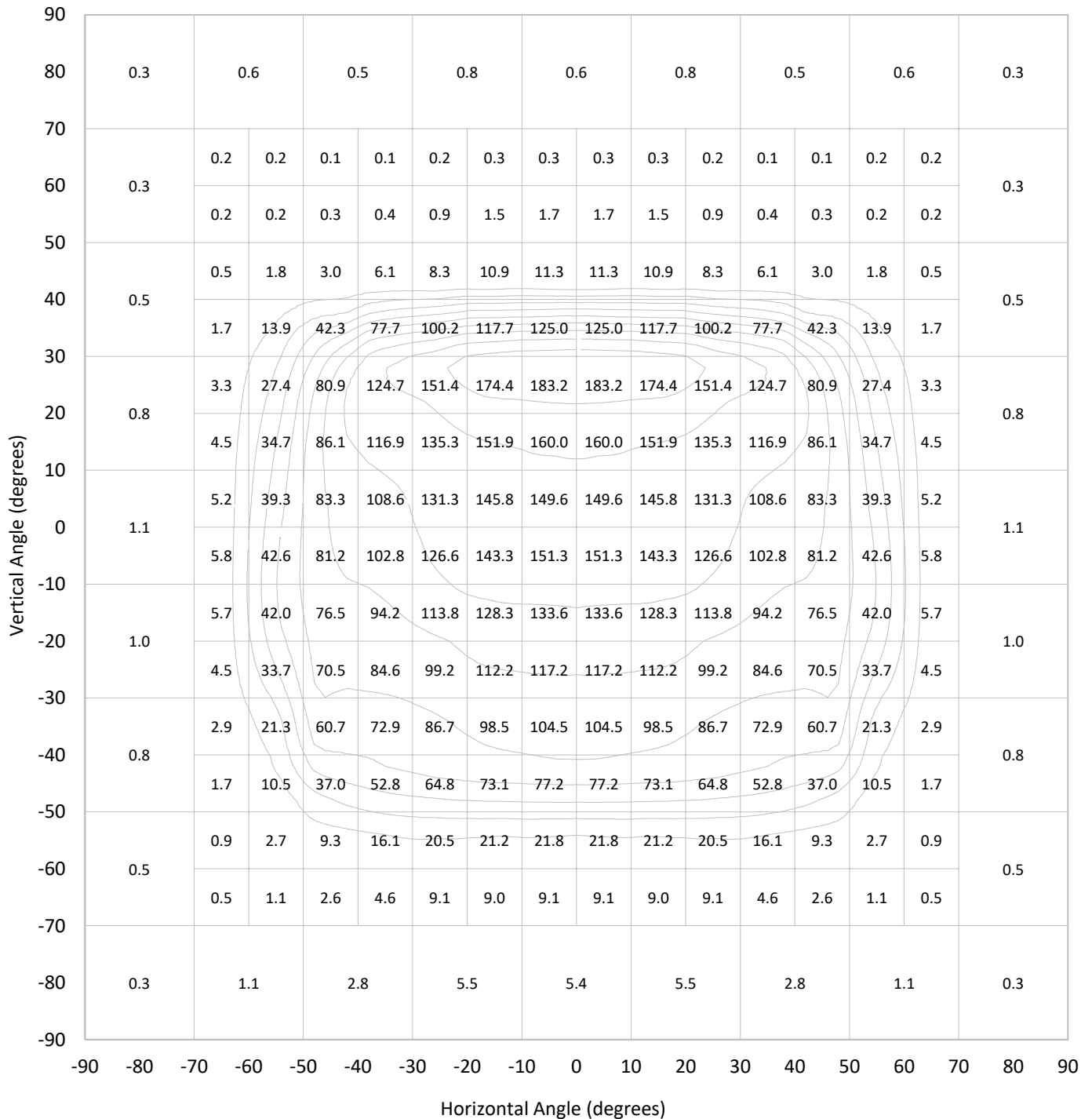
Iso-Candela Plot





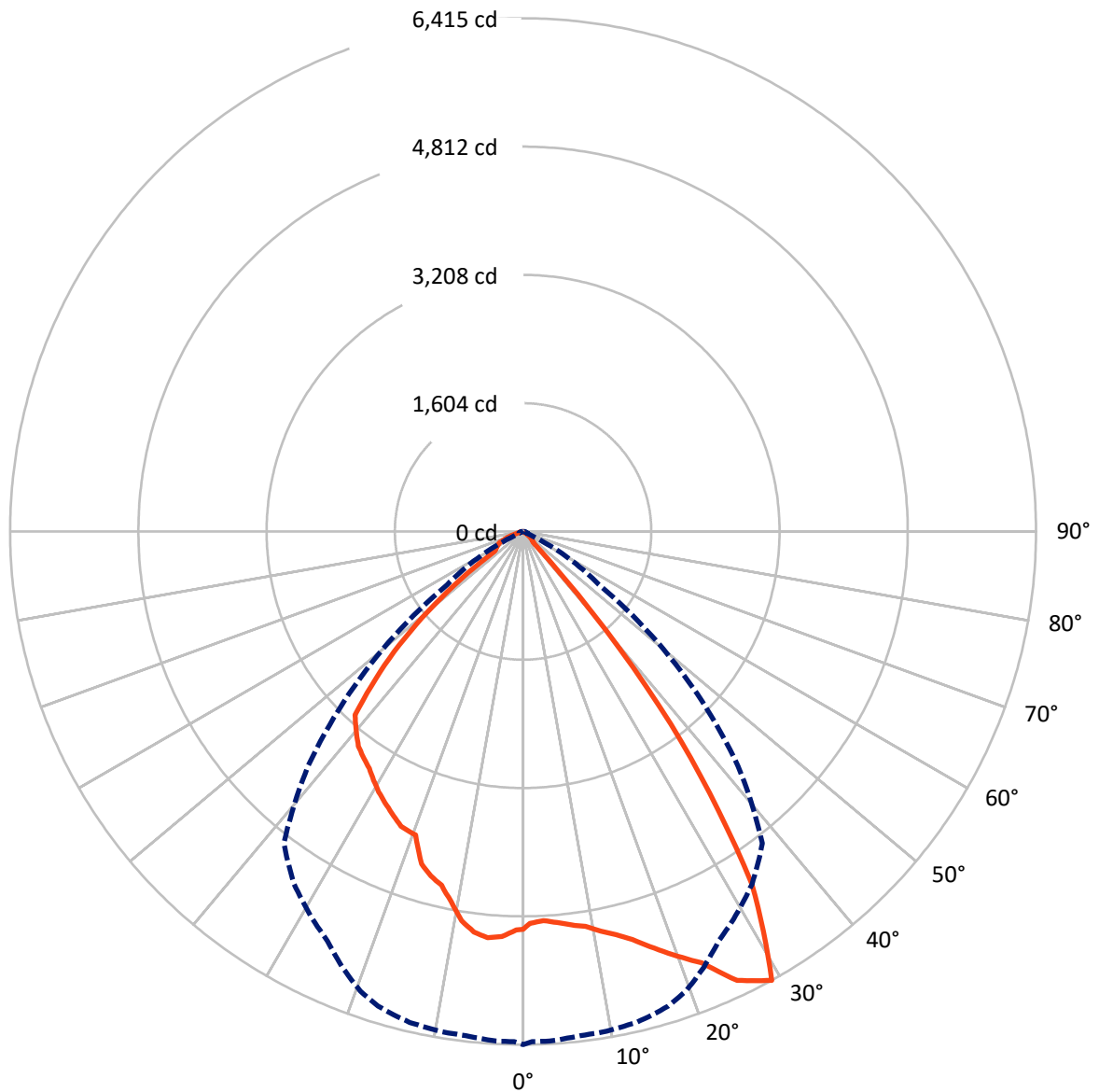
REPORT NUMBER: P571664
 CATALOG NUMBER: UFLD-CA2-80-750-U-66-TS2_UFLD

Lumen Table



REPORT NUMBER: P571664
CATALOG NUMBER: UFLD-CA2-80-750-U-66-TS2_UFLD

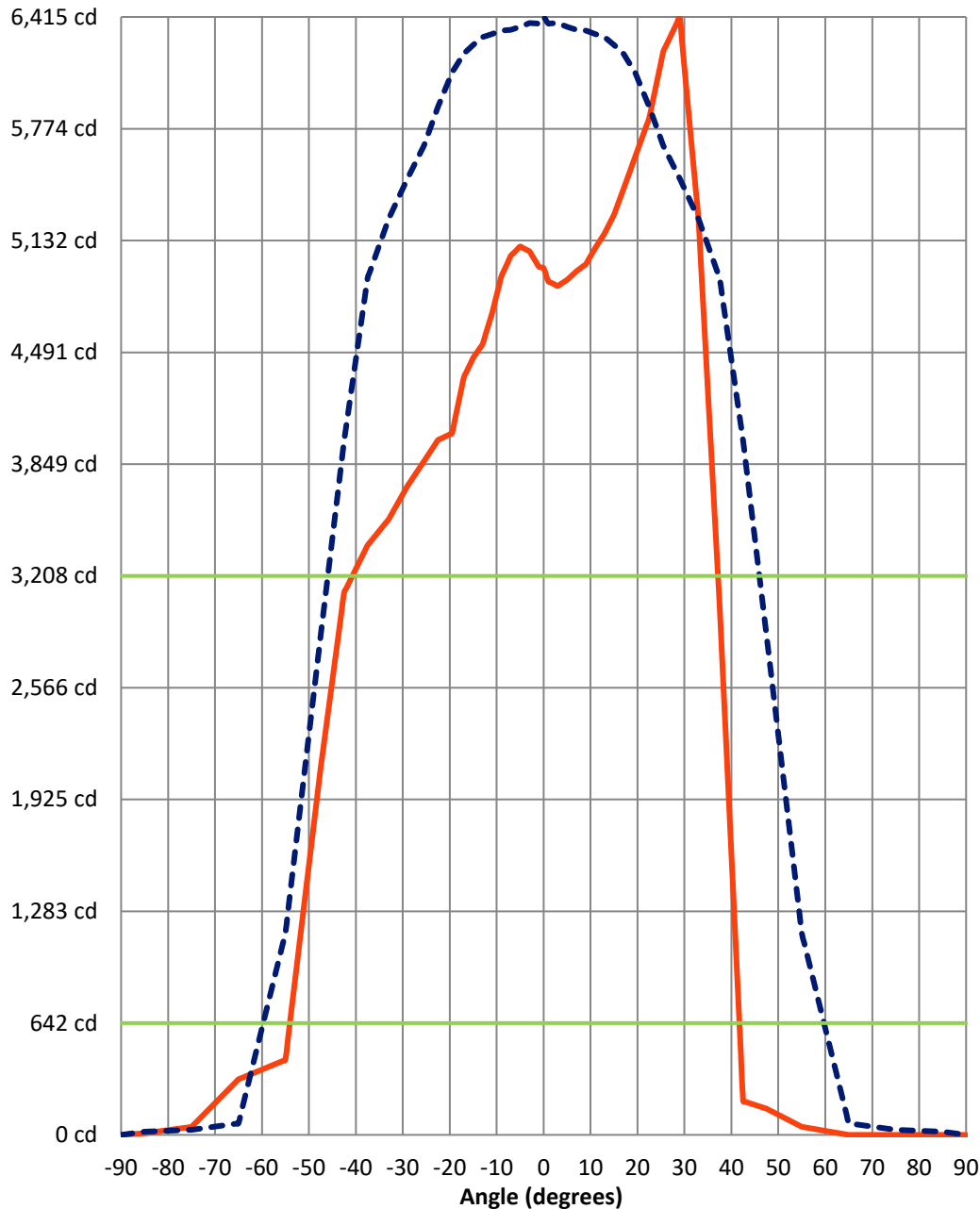
Luminous Intensity Polar Plot



— Vertical Distribution Through 0-Deg - - - Horizontal Distribution Through 29-Deg

REPORT NUMBER: P571664
 CATALOG NUMBER: UFLD-CA2-80-750-U-66-TS2_UFLD

Luminous Intensity Plot



Beam:
 H Angle: 91.9°
 V Angle: 77.9°
 Lumens: 8162.9
 Efficiency: 77.0%

Field:
 H Angle: 119.5°
 V Angle: 95.8°
 Lumens: 10332.2
 Efficiency: 97.4%

Spill:
 Lumens: 270.8
 Efficiency: 2.6%

- Vertical Distribution through 0-Deg
- - Horizontal Distribution through 29-Deg



REPORT NUMBER: P571664
 CATALOG NUMBER: UFLD-CA2-80-750-U-66-TS2_UFLD

FIELD
 BEAM

CANDELA DISTRIBUTION:

	0°	1°	3°	5°	7°	9°	11°	13°	15°	17°	19.5°
90°	0.0	0.0	0.0	0.0	0.0	0.0	0.0	0.0	0.0	0.0	0.0
85°	0.0	2.9	7.2	9.2	9.7	10.6	10.6	11.6	11.6	11.1	10.6
75°	0.0	1.0	2.9	4.3	5.3	6.3	6.8	6.8	6.8	6.3	6.3
65°	0.0	0.5	1.9	2.9	3.9	4.3	4.3	4.8	4.8	4.8	4.3
55°	46.3	47.8	46.8	46.3	46.3	45.4	43.4	40.5	37.2	37.6	35.2
47.5°	150.1	148.6	149.1	148.1	146.7	142.3	139.9	138.0	136.5	136.1	129.8
42.5°	194.0	200.2	218.6	257.7	299.2	343.5	346.0	312.2	271.2	226.3	315.1
37.5°	3034.5	3081.3	3019.5	3003.1	2921.6	2938.9	2924.5	2878.6	2875.2	2901.3	2869.5
33°	5252.5	5269.9	5237.6	5228.9	5212.0	5212.0	5193.7	5111.7	5052.3	5015.6	5004.1
29°	6415.4	6377.7	6380.2	6358.9	6341.6	6337.2	6317.4	6299.6	6254.7	6205.0	6096.4
25.5°	6217.6	6198.3	6207.4	6172.2	6165.9	6139.9	6142.3	6118.2	6085.3	6033.7	5917.9
22.5°	5835.9	5838.3	5836.9	5818.5	5811.8	5788.1	5759.7	5754.3	5751.5	5713.8	5629.4
19.5°	5612.5	5588.8	5580.6	5592.7	5572.4	5542.5	5510.2	5488.5	5462.4	5451.8	5420.5
17°	5426.2	5401.2	5412.3	5394.9	5381.4	5342.3	5308.0	5278.6	5265.1	5246.3	5200.4
15°	5280.5	5260.7	5257.4	5244.3	5254.5	5206.7	5186.4	5161.4	5133.8	5106.3	5069.2
13°	5173.9	5178.7	5170.5	5136.3	5151.7	5113.6	5088.5	5056.6	5033.5	5008.4	4987.6
11°	5089.0	5095.2	5062.4	5061.0	5068.2	5018.5	5011.3	4974.1	4961.1	4963.5	4908.0
9°	4996.8	5010.8	5022.4	5006.9	4995.9	4976.1	4964.5	4951.0	4926.4	4930.2	4916.2
7°	4955.8	4944.2	4941.3	4963.5	4946.2	4927.3	4907.6	4914.8	4919.6	4933.1	4916.2
5°	4906.6	4913.3	4917.7	4904.2	4901.8	4909.0	4896.5	4910.9	4915.3	5011.8	5041.7
3°	4871.4	4896.5	4883.4	4867.0	4878.6	4889.7	4915.8	4918.2	4965.0	5021.4	5037.8
1°	4898.4	4916.2	4917.7	4917.7	4929.3	4965.0	4967.9	4982.3	5016.6	5040.2	5053.3
0°	4974.1	4963.0	4969.8	4959.7	4987.6	5006.0	5008.4	4996.8	5021.9	5102.0	5102.0
-1°	4981.9	4986.7	5006.5	5011.8	5004.5	5027.2	4992.0	4994.9	5006.9	5054.2	5009.8
-3°	5070.2	5071.6	5069.2	5071.1	5059.5	5053.3	5028.7	5008.9	4980.4	4935.5	4897.9
-5°	5098.1	5101.5	5089.0	5083.2	5057.1	5015.2	5002.1	4968.3	4922.0	4871.8	4835.7
-7°	5044.1	5045.1	5004.5	5015.6	4972.7	4924.4	4891.1	4844.3	4811.1	4762.3	4726.1
-9°	4926.4	4909.0	4881.0	4872.3	4831.8	4772.5	4727.1	4691.9	4675.0	4646.5	4654.7
-11°	4713.1	4699.1	4700.6	4676.9	4646.0	4620.0	4597.8	4583.3	4573.2	4561.1	4543.7
-13°	4537.5	4530.2	4506.1	4513.3	4497.9	4503.2	4508.0	4502.2	4490.2	4474.3	4449.2
-15°	4458.8	4453.0	4442.4	4434.2	4432.8	4432.8	4430.8	4428.4	4417.8	4378.2	4339.6
-17°	4346.4	4331.9	4331.0	4328.5	4323.2	4326.1	4320.3	4310.2	4307.3	4280.8	4243.1
-19.5°	4026.5	4033.7	4032.8	4043.4	4031.8	4051.6	4058.8	4059.3	4044.4	4027.5	3996.1
-22.5°	3987.4	3965.2	3968.1	3974.4	3963.3	3958.9	3957.0	3958.9	3944.0	3924.2	3873.5
-25.5°	3864.9	3873.5	3874.0	3861.5	3863.4	3865.3	3842.7	3841.2	3826.3	3804.5	3749.5
-29°	3723.5	3728.8	3716.7	3717.7	3697.4	3688.7	3662.2	3646.8	3622.2	3607.7	3554.1
-33°	3532.9	3545.0	3533.9	3530.5	3510.7	3495.3	3473.1	3462.0	3422.9	3387.7	3347.6
-37.5°	3383.3	3369.8	3366.4	3373.2	3347.1	3338.4	3317.2	3298.9	3271.4	3237.1	3186.5
-42.5°	3111.2	3128.6	3122.3	3102.5	3091.4	3058.6	3045.6	3029.2	3018.5	3013.2	2955.8
-47.5°	2103.2	2112.4	2109.5	2102.8	2095.5	2092.6	2078.6	2067.5	2065.1	2056.4	2028.9
-55°	430.4	441.5	449.7	470.0	478.6	491.2	479.6	457.9	454.0	499.4	495.5
-65°	318.9	317.5	316.0	314.6	312.2	311.2	313.6	315.6	314.1	320.4	332.9
-75°	45.8	45.4	46.8	47.3	43.9	43.9	51.1	49.7	51.6	51.6	52.1
-85°	9.2	8.2	9.2	13.5	14.0	15.9	17.4	18.8	19.3	19.3	19.3
-90°	0.0	0.0	0.0	0.0	0.0	0.0	0.0	0.0	0.0	0.0	0.0



REPORT NUMBER: P571664
 CATALOG NUMBER: UFLD-CA2-80-750-U-66-TS2_UFLD

CANDELA DISTRIBUTION (continued):

	22.5°	25.5°	29°	33°	37.5°	42.5°	47.5°	55°	65°	75°	85°
90°	0.0	0.0	0.0	0.0	0.0	0.0	0.0	0.0	0.0	0.0	0.0
85°	9.7	8.7	7.7	6.8	5.8	6.3	7.2	9.2	13.0	15.0	16.4
75°	5.8	5.3	4.8	4.8	4.8	5.8	6.8	8.7	12.5	14.5	16.9
65°	4.3	3.9	3.4	3.4	3.4	4.3	6.8	9.2	13.0	15.0	16.9
55°	31.8	23.2	13.0	13.5	13.5	14.0	14.5	12.1	15.0	16.4	17.4
47.5°	110.5	78.2	47.3	37.2	37.2	32.3	28.0	21.2	27.5	17.9	17.4
42.5°	309.8	141.9	227.7	243.7	211.3	94.6	124.5	141.4	35.2	20.3	17.9
37.5°	2635.0	2523.0	2372.5	2247.0	1959.5	1236.7	1118.4	491.7	42.0	23.2	17.9
33°	4827.9	4569.3	4443.4	4182.8	3982.6	2914.8	2249.4	836.7	55.0	26.1	18.3
29°	5899.6	5676.2	5488.0	5256.9	4915.8	3982.6	2863.2	1157.5	66.1	29.0	18.3
25.5°	5739.4	5558.0	5375.6	5204.8	5021.4	4397.5	3241.0	1389.1	76.7	32.3	18.3
22.5°	5466.3	5268.0	5099.1	4998.7	4895.0	4533.6	3442.7	1550.8	86.9	35.7	18.8
19.5°	5258.8	5082.2	4927.3	4825.0	4815.9	4557.7	3555.1	1682.0	98.9	41.5	18.8
17°	5070.6	4925.4	4801.4	4754.6	4777.8	4495.0	3637.1	1790.6	110.0	45.4	18.8
15°	4943.7	4829.4	4729.0	4717.9	4702.5	4424.1	3698.4	1882.7	119.2	47.3	18.8
13°	4886.3	4785.5	4707.3	4696.7	4607.4	4340.6	3731.7	1967.2	126.4	48.7	18.8
11°	4819.3	4752.2	4711.2	4627.2	4502.2	4235.4	3734.1	2040.5	133.7	51.1	18.8
9°	4830.8	4743.5	4678.4	4546.6	4399.5	4182.3	3734.1	2107.1	132.2	52.6	18.8
7°	4836.1	4754.6	4620.0	4466.5	4318.9	4129.8	3743.8	2173.2	125.9	54.5	18.8
5°	4861.2	4743.0	4591.0	4403.8	4252.8	4092.1	3712.4	2240.8	123.5	56.0	18.8
3°	4862.7	4742.1	4579.0	4341.6	4206.5	4056.4	3708.5	2298.7	123.0	56.5	19.3
1°	4864.1	4737.2	4541.3	4279.8	4166.9	4038.6	3703.2	2363.3	124.5	56.5	19.3
0°	4856.9	4715.5	4525.4	4264.4	4142.3	4025.1	3709.5	2397.6	125.5	55.5	19.3
-1°	4848.7	4686.1	4486.3	4242.7	4123.5	4019.7	3702.7	2431.3	125.5	55.0	19.3
-3°	4788.4	4637.8	4449.7	4222.4	4090.7	3987.9	3677.6	2489.2	129.3	55.0	19.3
-5°	4725.6	4583.8	4410.6	4167.9	4050.6	3948.8	3684.4	2523.5	131.2	55.0	19.3
-7°	4663.4	4515.3	4355.6	4143.7	3991.8	3890.0	3666.6	2567.9	131.7	54.5	19.3
-9°	4562.1	4433.7	4263.9	4055.4	3915.0	3846.5	3660.3	2590.1	132.7	54.5	19.3
-11°	4476.7	4324.2	4170.8	3978.2	3840.7	3774.6	3630.4	2587.2	133.7	54.0	19.3
-13°	4357.5	4221.4	4082.0	3900.6	3777.0	3692.6	3600.0	2569.8	133.2	54.5	19.3
-15°	4249.9	4116.7	3976.3	3834.0	3705.6	3605.8	3554.6	2530.3	133.2	54.5	19.3
-17°	4140.9	4012.0	3880.3	3743.3	3634.2	3554.6	3520.8	2455.5	132.2	54.0	19.3
-19.5°	3896.7	3798.8	3716.7	3641.9	3550.3	3457.1	3467.8	2319.9	128.8	54.0	19.3
-22.5°	3773.7	3673.8	3590.3	3515.0	3442.7	3350.5	3411.8	2114.3	123.5	53.1	19.3
-25.5°	3662.2	3566.2	3480.3	3405.5	3356.3	3299.8	3361.1	1848.0	118.2	52.1	19.3
-29°	3473.5	3394.4	3323.5	3249.2	3209.6	3186.0	3280.1	1491.9	114.4	50.2	18.8
-33°	3263.7	3196.1	3126.6	3026.3	2983.8	2984.3	3089.5	1046.1	111.9	47.3	18.8
-37.5°	3116.0	3041.2	2937.5	2826.5	2748.8	2762.8	2784.1	818.3	113.4	42.9	18.8
-42.5°	2879.1	2839.1	2713.6	2605.0	2463.2	2319.4	2105.2	611.3	99.4	35.7	18.8
-47.5°	2013.0	1955.1	1902.0	1841.7	1710.0	1472.1	1125.2	241.7	88.8	28.0	18.8
-55°	525.4	519.2	553.0	508.6	416.4	310.7	270.7	92.6	67.1	24.1	18.8
-65°	361.9	375.9	295.3	196.4	99.4	84.4	131.7	50.2	36.7	21.2	18.3
-75°	50.7	45.4	35.7	37.6	39.6	37.2	33.8	20.7	20.7	19.3	17.9
-85°	18.8	17.9	17.4	16.9	15.9	15.0	15.0	15.4	17.4	18.8	17.9
-90°	0.0	0.0	0.0	0.0	0.0	0.0	0.0	0.0	0.0	0.0	0.0



REPORT NUMBER: P571664
CATALOG NUMBER: UFLD-CA2-80-750-U-66-TS2_UFLD

CANDELA DISTRIBUTION (continued):

	90°
90°	0.0
85°	0.0
75°	0.0
65°	0.0
55°	0.0
47.5°	0.0
42.5°	0.0
37.5°	0.0
33°	0.0
29°	0.0
25.5°	0.0
22.5°	0.0
19.5°	0.0
17°	0.0
15°	0.0
13°	0.0
11°	0.0
9°	0.0
7°	0.0
5°	0.0
3°	0.0
1°	0.0
0°	0.0
-1°	0.0
-3°	0.0
-5°	0.0
-7°	0.0
-9°	0.0
-11°	0.0
-13°	0.0
-15°	0.0
-17°	0.0
-19.5°	0.0
-22.5°	0.0
-25.5°	0.0
-29°	0.0
-33°	0.0
-37.5°	0.0
-42.5°	0.0
-47.5°	0.0
-55°	0.0
-65°	0.0
-75°	0.0
-85°	0.0
-90°	0.0

(END OF REPORT)